

CARTA KUMPULAN

DOUBLE WANITA

KUMP A	
1-1	UMK 1
1-2	UM 2
1-3	UNISZA
1-4	-

KUMP B	
2-1	UTEM
2-2	UITM 2
2-3	UPM
2-4	-

KUMP C	
3-1	KK MAS 2
3-2	UNIKL 2
3-3	UMK 3
3-4	-

KUMP D	
4-1	UITM 1
4-2	UPSI
4-3	UMP
4-4	-

KUMP E	
5-1	UITM 3
5-2	UNIKL 1
5-3	KK MAS 1
5-4	-

KUMP F	
6-1	UMK 2
6-2	UTM
6-3	UM 1
6-4	-

KUMP G	
7-1	UUM
7-2	USM
7-3	UTHM
7-4	UNITAR

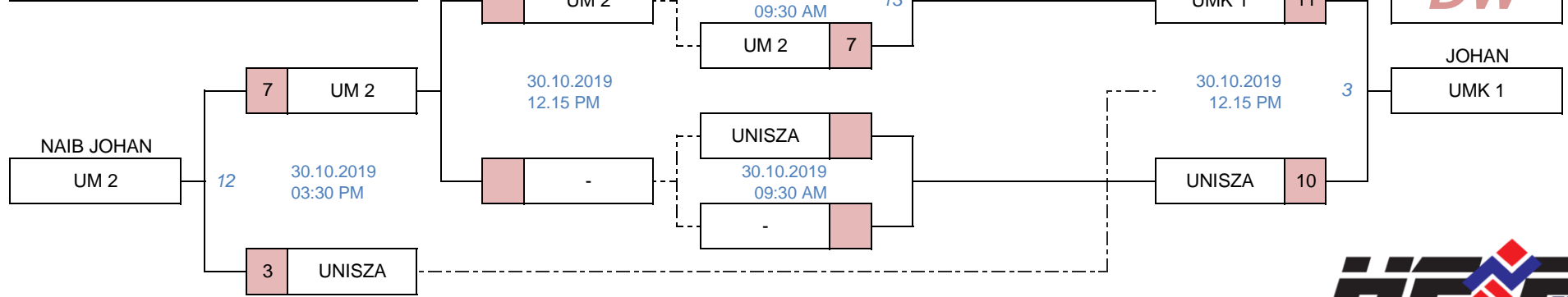
JADUAL PERTANDINGAN

BIL	TARIKH	MASA	KUMP	KOD	PERLAWANAN ANTARA			NO. GEL	CATATAN
					PASUKAN A	LWN	PASUKAN B		
PUSINGAN SATU									
1	30.10.2019	09:30 AM	KUMP A	DW K1 01	UMK 1	LWN	UM 2	13	
2	30.10.2019	09:30 AM	KUMP B	DW K2 01	UTEM	LWN	UITM 2	14	
3	30.10.2019	09:30 AM	KUMP C	DW K3 01	KK MAS 2	LWN	UNIKL 2	15	
4	30.10.2019	09:30 AM	KUMP D	DW K4 01	UITM 1	LWN	UPSI	16	
5	30.10.2019	09:30 AM	KUMP E	DW K5 01	UITM 3	LWN	UNIKL 1	17	
6	30.10.2019	09:30 AM	KUMP F	DW K6 01	UMK 2	LWN	UTM	18	
7	30.10.2019	09:30 AM	KUMP G	DW K7 01	UUM	LWN	USM	19	
8	30.10.2019	09:30 AM	KUMP G	DW K7 02	UTHM	LWN	UNITAR	20	
9	30.10.2019	12.15 PM	KUMP A	DW K1 02	UMK 1	LWN	UNISZA	3	WIN 01 VS WIN 02
10	30.10.2019	12.15 PM	KUMP B	DW K2 02	UITM 2	LWN	UPM	4	WIN 01 VS WIN 02
11	30.10.2019	12.15 PM	KUMP C	DW K3 02	UNIKL 2	LWN	UMK 3	5	WIN 01 VS WIN 02
12	30.10.2019	12.15 PM	KUMP D	DW K4 02	UPSI	LWN	UMP	6	WIN 01 VS WIN 02
13	30.10.2019	12.15 PM	KUMP E	DW K5 02	UITM 3	LWN	KK MAS 1	7	WIN 01 VS WIN 02
14	30.10.2019	12.15 PM	KUMP F	DW K6 02	UTM	LWN	UM 1	8	WIN 01 VS WIN 02
15	30.10.2019	12.15 PM	KUMP G	DW K7 03	USM	LWN	UNITAR	9	LOS 01 VS LOS 02
16	30.10.2019	12.15 PM	KUMP G	DW K7 04	UUM	LWN	UTHM	10	WIN 01 VS WIN 02
17	30.10.2019	03:30 PM	KUMP A	DW K1 03	UM 2	LWN	UNISZA	12	WIN 03 VS LOS 04
18	30.10.2019	03:30 PM	KUMP B	DW K2 03	UTEM	LWN	UPM	13	WIN 03 VS LOS 04
19	30.10.2019	03:30 PM	KUMP C	DW K3 03	KK MAS 2	LWN	UMK 3	14	WIN 03 VS LOS 04
20	30.10.2019	03:30 PM	KUMP D	DW K4 03	UITM 1	LWN	UPSI	15	WIN 03 VS LOS 04
21	30.10.2019	03:30 PM	KUMP E	DW K5 03	UNIKL 1	LWN	UITM 3	16	WIN 03 VS LOS 04
22	30.10.2019	03:30 PM	KUMP F	DW K6 03	UMK 2	LWN	UTM	17	WIN 03 VS LOS 04
23	30.10.2019	03:30 PM	KUMP G	DW K7 05	USM	LWN	UUM	18	WIN 03 VS LOS 04

HIGHER EDUCATION SPORTS FEST 2019 - PETANQUE

KUMP A

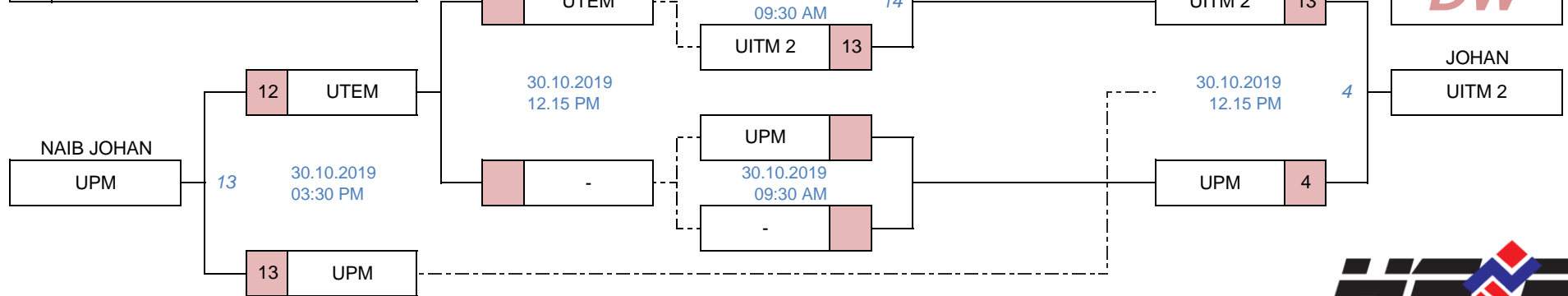
1-1	UMK 1
1-2	UM 2
1-3	UNISZA
1-4	-



HIGHER EDUCATION SPORTS FEST 2019 - PETANQUE

KUMP B

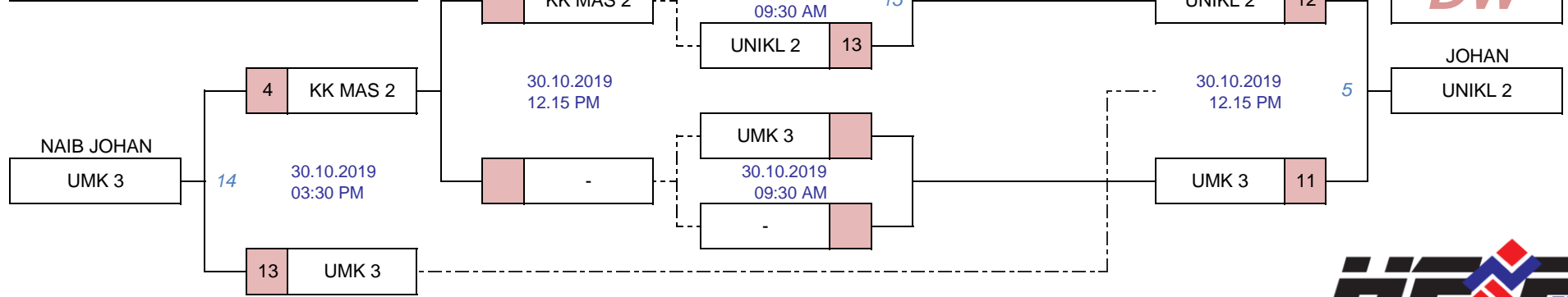
2-1	UTEM
2-2	UITM 2
2-3	UPM
2-4	-



HIGHER EDUCATION SPORTS FEST 2019 - PETANQUE

KUMP C

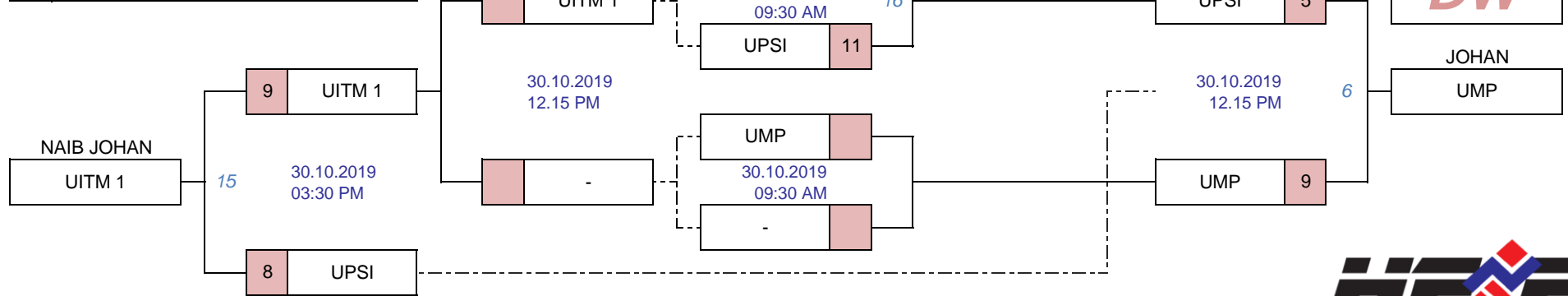
3-1	KK MAS 2
3-2	UNIKL 2
3-3	UMK 3
3-4	-



HIGHER EDUCATION SPORTS FEST 2019 - PETANQUE

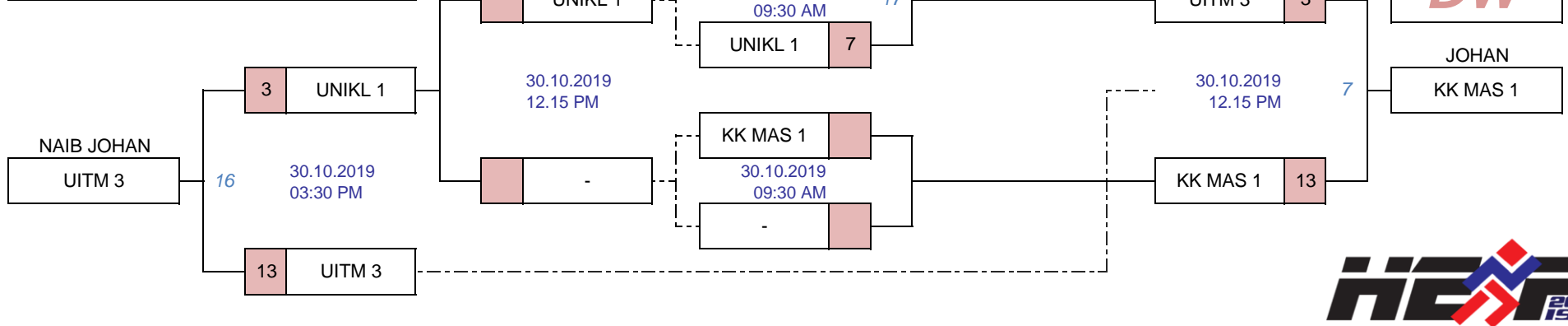
KUMP D

4-1	UITM 1
4-2	UPSI
4-3	UMP
4-4	-



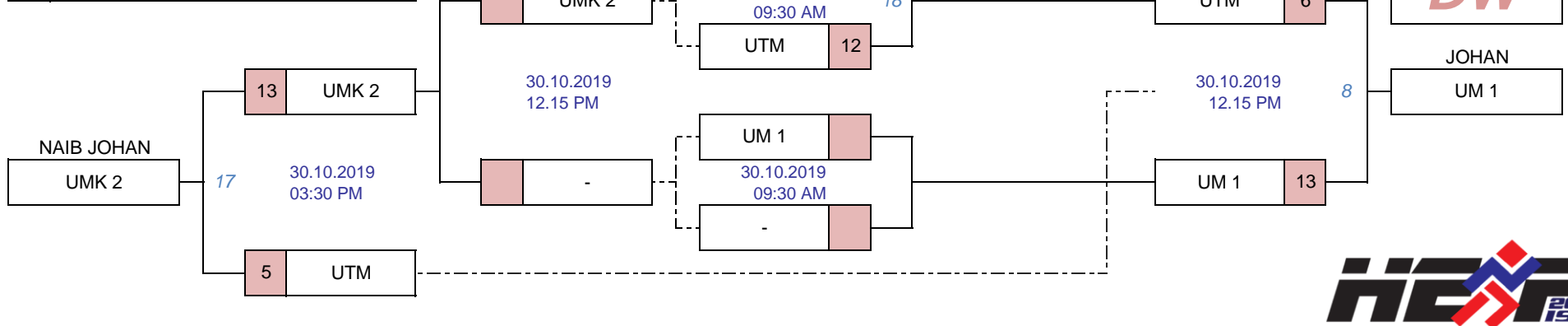
HIGHER EDUCATION SPORTS FEST 2019 - PETANQUE

KUMP E	
5-1	UITM 3
5-2	UNIKL 1
5-3	KK MAS 1
5-4	-



HIGHER EDUCATION SPORTS FEST 2019 - PETANQUE

KUMP F	
6-1	UMK 2
6-2	UTM
6-3	UM 1
6-4	-



HIGHER EDUCATION SPORTS FEST 2019 - PETANQUE

KUMP G

7-1	UUM
7-2	USM
7-3	UTHM
7-4	UNITAR

